



2401NdU

Nominal Diameter	8" / 20cm
Rated Impedance	8 Ω
Half space sensitivity (1W@1m)	94 dB SPL
Power Handling Capacity	250 W AES
SPL max (continuous)	115 dB SPL
Usable frequency range	70 - 3000 Hz
Speaker net mass	2.7 kg

8 inches low-mid driver



Architecture Highlights

- Neodymium magnet system with symmetric BL(x) and Le(x)
- Natural convection Intercooler System
- Double side coated diaphragm (Tropical withstanding)
- High compliance double half-roll Fabric Surround

Motor architecture

Magnet material	-	Nd
Voice coil diameter	mm	51
Voice coil length	mm	13
Air gap height	mm	8

Typical characteristics

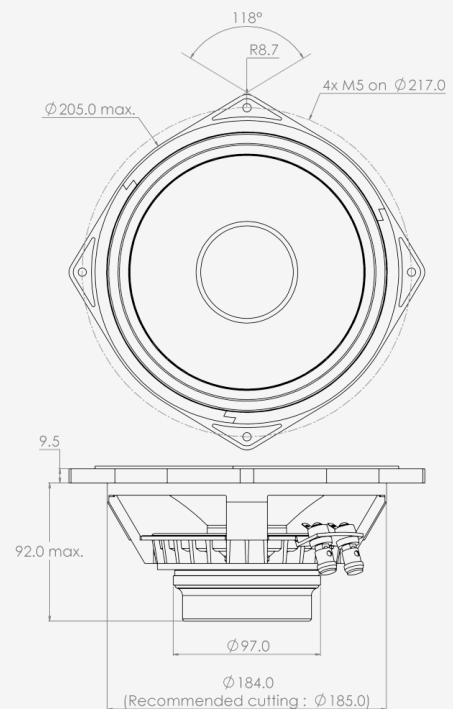
Rated impedance	Z	Ω	8
Half space sensitivity (1W@1m)	-	dB SPL	94.0
Usable freq. range	-	HZ	70 - 3000
Power handling capacity (AES)	-	W	250
Max Sound Pressure Level	SPLmax	dB SPL	115
Min. impedance modulus	Zmin	Ω@Hz	6.2@360
Voice-coil inductance @ 1kHz	Le1k	mH	1.205
Voice-coil inductance @ 10kHz	Le10k	mH	0.620
BL product	BL	N/A	16.1
Moving mass	Mms	kg	0.028

Thiele-Small parameters

Resonance frequency	Fs	Hz	72 (±)
DC Resistance	Re	Ω	5.4 (±0.5)
Mechanical quality factor	Qms	1	4.52
Electrical quality factor	Qes	1	0.26
Total quality factor	Qts	1	0.25
Suspension compliance	Cms	10 ⁻⁶ .m/N	170
Effective piston area	Sd	m ²	0.0219
Equivalent Cas air load	Vas	m ³	0.0117
Max linear excursion	Xmax	mm	± 4.5
Linear displacement volume	Vd	10 ⁻³ .m ³	0.0986
Reference efficiency	H	%	1.6
Unity load volume	Vas.Qts ²	10 ⁻³ .m ³	0.7

Absolute maximum ratings

Short term max. input voltage	Vmax	V	90
Max.excursion before damage	Xdam	mm	± 10
Ambient operating temperature	Ta	°C	-10 to +50
Storage temperature		°C	-20 to +70
Environmental withstanding			tropical



Application information

Air volume occupied by the driver	10 ⁻³ .m ³	0.60
Speaker net mass	kg	2.7
Baffle cut-out diameter (front mounting)	mm	185.0
Bolt number & Metric diameter	-	4x M5
Bolt circle diameter	mm	217.0
Max overall dimension (on ears)	mm	234.0
Max overall dimension (out of ears)	mm	205.0
Flange height	mm	9.5
Max magnet diameter	mm	97.0
Max depth (front mounting)	mm	92.0
Recommended reflex box	Lts / Hz	10L / 80Hz
Electrical connection	-	Ø4 mm Push buttons