



900Nd

Nominal Diameter	5" / 13cm
Rated Impedance	8 Ω
Half space sensitivity (1W@1m)	90 dB SPL
Power Handling Capacity	120 W AES
SPL max (continuous)	108 dB SPL
Usable frequency range	60 - 3000 Hz
Speaker net mass	0.98 kg

5 inches low-mid driver



Architecture Highlights

- Noiseless natural convection Intercooling System
- Neodymium magnet system with symmetric BL(x) and Le(x)
- Long excursion suspension with linear behavior for large signal
- Lightweight basket

Motor architecture

Magnet material	-	Nd
Voice coil diameter	mm	38
Voice coil length	mm	16
Air gap height	mm	6

Typical characteristics

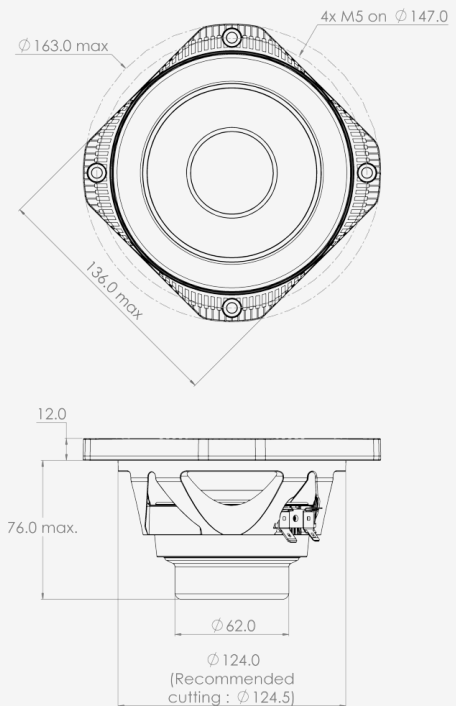
Rated impedance	Z	Ω	8
Half space sensitivity (1W@1m)	-	dB SPL	90.0
Usable freq. range	-	HZ	60 - 3000
Power handling capacity (AES)	-	W	120
Max Sound Pressure Level	SPLmax	dB SPL	108
Min. impedance modulus	Zmin	Ω@Hz	6.3@500
Voice-coil inductance @ 1kHz	Le1k	mH	0.619
Voice-coil inductance @ 10kHz	Le10k	mH	0.223
BL product	BL	N/A	8.1
Moving mass	Mms	kg	0.011

Thiele-Small parameters

Resonance frequency	Fs	Hz	65 (±10)
DC Resistance	Re	Ω	5.7 (±0.6)
Mechanical quality factor	Qms	1	3.81
Electrical quality factor	Qes	1	0.40
Total quality factor	Qts	1	0.36
Suspension compliance	Cms	10 ⁻⁶ .m/N	540
Effective piston area	Sd	m ²	0.0102
Equivalent Cas air load	Vas	m ³	0.0078
Max linear excursion	Xmax	mm	± 6.5
Linear displacement volume	Vd	10 ⁻³ .m ³	0.0663
Reference efficiency	H	%	0.52
Unity load volume	Vas.Qts ²	10 ⁻³ .m ³	1.0

Absolute maximum ratings

Short term max. input voltage	Vmax	V	60
Max.excursion before damage	Xdam	mm	±12
Ambient operating temperature	Ta	°C	-10 to +50
Storage temperature		°C	-20 to +70
Environmental withstanding			Tropical



Application information

Air volume occupied by the driver	10 ⁻³ .m ³	0.18
Speaker net mass	kg	0.98
Baffle cut-out diameter (front mounting)	mm	124.5
Bolt number & Metric diameter	-	4x M5
Bolt circle diameter	mm	147.0
Max overall dimension (on ears)	mm	163.0
Max overall dimension (out of ears)	mm	136.0
Flange height	mm	12.5
Max magnet diameter	mm	-
Max depth (front mounting)	mm	76.0
Recommended reflex box	Lts / Hz	8L / 60Hz
Electrical connection	-	6.35x0.8 + 4.8x0.5

FASTON