



3005NdU

10 inches bass driver

Nominal Diameter	10" / 25cm
Rated Impedance	6 Ω
Half space sensitivity (1W@1m)	91.5 dB SPL
Power Handling Capacity	250 W AES
SPL max (continuous)	112 dB SPL
Usable frequency range	40 - 3000 Hz
Speaker net mass	3.0 kg



Architecture Highlights

- Noiseless natural convection Intercooling System
- High excursion 24.0 mm winding voice coil
- Neodymium magnet system with symmetric BL(x) and Le(x)
- High compliance double half-roll Fabric Surround for low Fs
- Dual side coated diaphragm

Motor architecture

Magnet material	-	Nd
Voice coil diameter	mm	51
Voice coil length	mm	22
Air gap height	mm	8

Typical characteristics

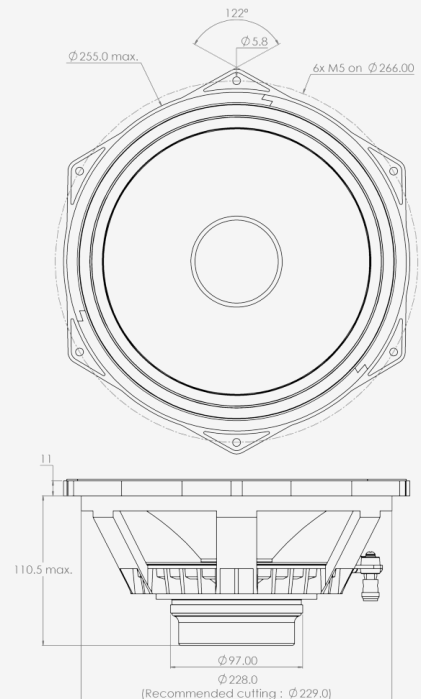
Rated impedance	Z	Ω	6
Half space sensitivity (1W@1m)	-	dB SPL	91.5
Usable freq. range	-	HZ	40 - 3000
Power handling capacity (AES)	-	W	250
Max Sound Pressure Level	SPLmax	dB SPL	112
Min. impedance modulus	Zmin	Ω@Hz	5.7@280
Voice-coil inductance @ 1kHz	Le1k	mH	1.050
Voice-coil inductance @ 10kHz	Le10k	mH	0.584
BL product	BL	N/A	12.6
Moving mass	Mms	kg	0.051

Thiele-Small parameters

Resonance frequency	Fs	Hz	53 (±8)
DC Resistance	Re	Ω	4.7 (±0.5)
Mechanical quality factor	Qms	1	5.66
Electrical quality factor	Qes	1	0.50
Total quality factor	Qts	1	0.46
Suspension compliance	Cms	10 ⁻⁶ .m/N	180
Effective piston area	Sd	m ²	0.0356
Equivalent Cas air load	Vas	m ³	0.0314
Max linear excursion	Xmax	mm	± 9.0
Linear displacement volume	Vd	10 ⁻³ .m ³	0.3207
Reference efficiency	H	%	0.9
Unity load volume	Vas.Qts ²	10 ⁻³ .m ³	6.7

Absolute maximum ratings

Short term max. input voltage	Vmax	V	75
Max.excursion before damage	Xdam	mm	± 12
Ambient operating temperature	Ta	°C	-10 to +50
Storage temperature		°C	-20 to +70
Environmental withstanding			Tropical



Application information

Air volume occupied by the driver	10 ⁻³ .m ³	1.4
Speaker net mass	kg	3.0
Baffle cut-out diameter (front mounting)	mm	229.0
Bolt number & Metric diameter	-	6x M5
Bolt circle diameter	mm	266.0
Max overall dimension (on ears)	mm	283.5
Max overall dimension (out of ears)	mm	254.5
Flange height	mm	11.0
Max magnet diameter	mm	97.0
Max depth (front mounting)	mm	110.5
Recommended reflex box	Lts / Hz	20L / 40Hz
Electrical connection	-	Ø4 mm Push buttons