



3002

Nominal Diameter	10 " / 25 cm
Rated Impedance	8
Sensitivity	91 dB SPL
Power Handling Capacity	200 W AES
SPL max (continuous)	110 dB SPL
Usable frequency range	40 - 2500 Hz
Speaker net mass	5 kg

10 inches bass driver



Architecture highlights :

- Noiseless natural convection Intercooling System
- High compliance double half-roll Fabric Surround for low Fs
- Dual side coated diaphragm

Motor architecture

Magnet material	-	Fe
Voice coil diameter	mm	51
Voice coil length	mm	13
Air gap height	mm	8

Typical characteristics

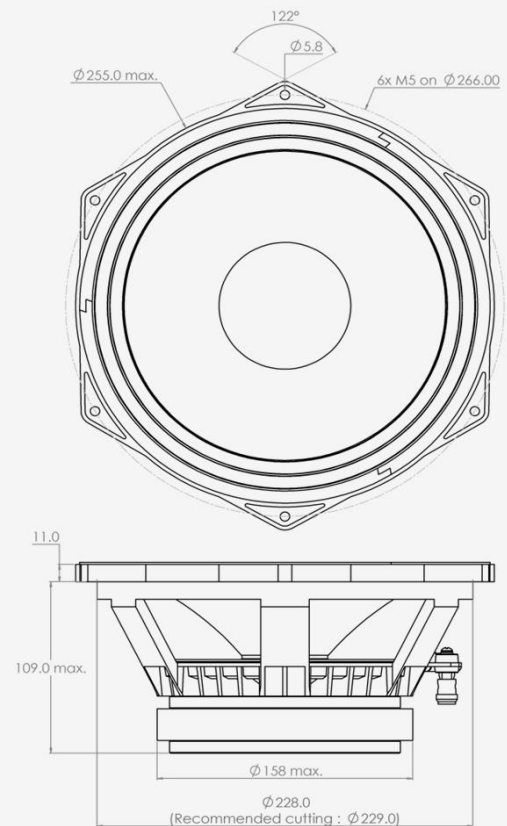
Rated impedance	Z	Ω	8
Half space sensitivity (1W@1m)	-	dB SPL	91.0
Usable freq. range	-	Hz	40 - 2500
Power handling capacity (AES)	-	W	200
Max Sound Pressure Level	SPL _{max}	dB SPL	110
Min. impedance modulus	Z _{min}	Ω@Hz	5.7@280
Voice-coil inductance @ 1kHz	Le _{1k}	mH	0.961
Voice-coil inductance @ 10kHz	Le _{10k}	mH	0.583
BL product	BL	N/A	15.9
Moving mass	M _{ms}	kg	0.0650

Thiele-Small parameters

Resonance frequency	Fs	Hz	47 (±7)
DC Resistance	Re	Ω	5.4 (±0.5)
Mechanical quality factor	Q _{ms}	1	6.42
Electrical quality factor	Q _{es}	1	0.41
Total quality factor	Q _{ts}	1	0.39
Suspension compliance	C _{ms}	10 ⁻⁶ .m/N	180
Effective piston area	S _d	m ²	0.0356
Equivalent Cas air load	V _{as}	m ³	0.0315
Max linear excursion	X _{max}	mm	± 4.5
Linear displacement volume	V _d	10 ⁻³ .m ³	0.1603
Reference efficiency	η ₀	%	0.8
Unity load volume	V _{as} .Q _{ts} ²	10 ⁻³ .m ³	4.7

Absolute maximum ratings

Short term max. input voltage	V _{max}	V	80
Max.excursion before damage	X _{dam}	mm	± 13.0
Ambient operating temperature	T _a	°C	-10 to +50
Storage temperature		°C	-20 to +70
Environmental withstanding			Tropical



Mounting information

Air volume occupied by the driver	10 ⁻³ .m ³	1.40
Speaker net mass	kg	5.00
Baffle cut-out diameter (front mounting)	mm	229.0
Bolt number & Metric diameter	-	6x M5
Bolt circle diameter	mm	266.0
Max overall dimension (on ears)	mm	283.5
Max overall dimension (out of ears)	mm	254.5
Flange height	mm	11.0
Max magnet diameter	mm	158.0
Max depth (front mounting)	mm	109.0
Recommended reflex box	Lts / Hz	-
Electrical connection		Ø4 mm Push buttons



3002

10 inches bass driver

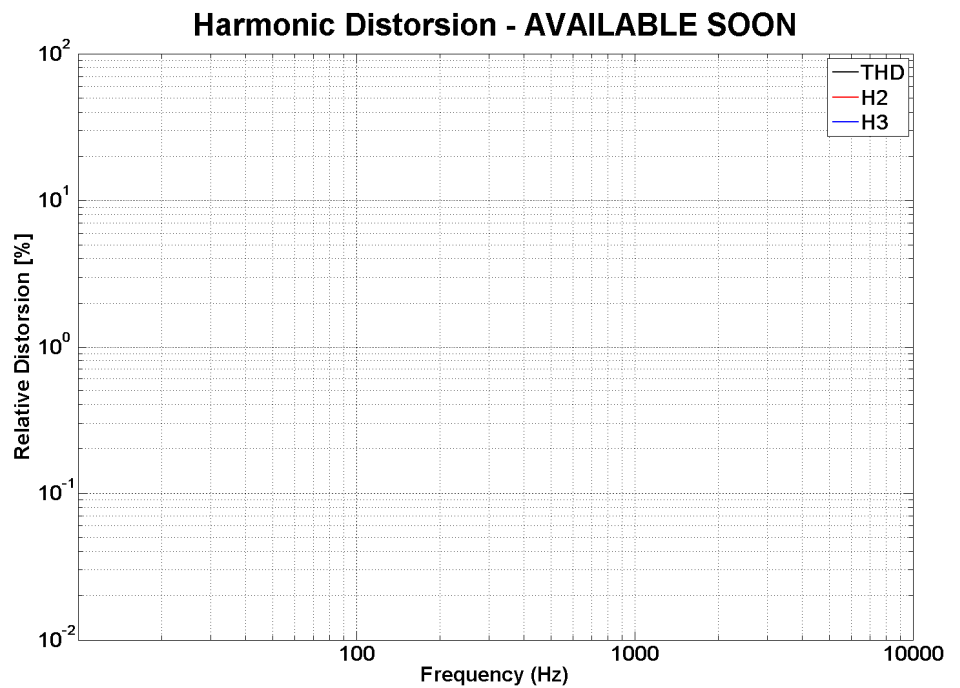
SPL curves measured on CEI standard baffle :

- . at 25 cm, normalised 1 m
- . at 1 m for reference
- . Graph amplitude = 60 dB (PHL Audio standard)



HD curve measured on CEI standard baffle :

- . at 1 meter
- . at power = $P_{AES} / 4$
- . Graph amplitude 0.01 % to 100 % (PHL Audio standard for $P_{AES}/4$)



Non linear curves measured thanks to Klippel software and hardware, in free air

