



# 3450NdM

Nominal Diameter	10 " / 25 cm
Rated Impedance	8
Sensitivity	98.5 dB SPL
Power Handling Capacity	200 W AES
SPL max (continuous)	119 dB SPL
Usable frequency range	150-4000 Hz
Speaker net mass	3.4 kg

# 10 inches mid driver



## Architecture highlights :

- Midrange unit with critical damping diaphragm
- Ultra light CCAR voice coil
- Natural convection Intercooler System
- Front side coated diaphragm
- Low profile with flat motor

## Motor architecture

Magnet material	-	Nd
Voice coil diameter	mm	64
Voice coil length	mm	11
Air gap height	mm	10

## Typical characteristics

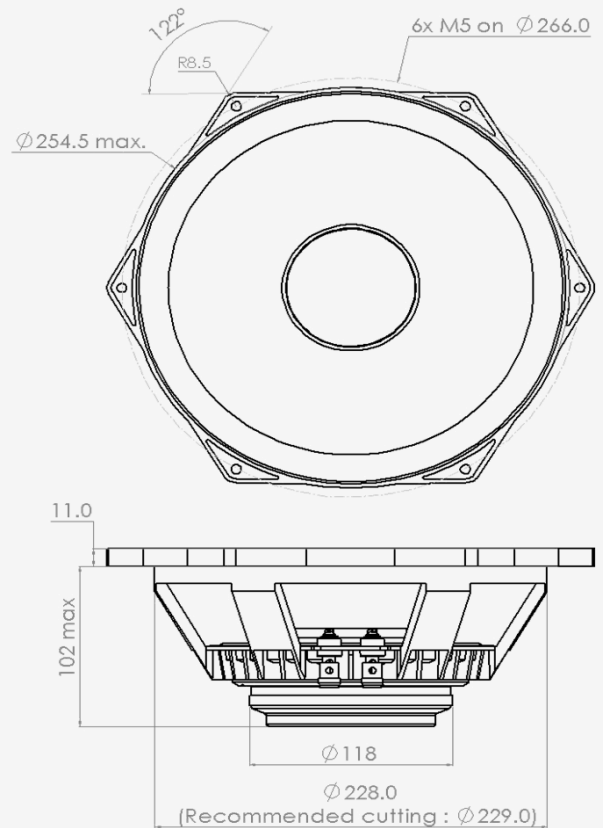
Rated impedance	Z	Ω	8
Half space sensitivity (1W@1m)	-	dB SPL	98.5
Usable freq. range	-	Hz	150-4000
Power handling capacity (AES)	-	W	200
Max Sound Pressure Level	SPL <sub>max</sub>	dB SPL	119
Min. impedance modulus	Z <sub>min</sub>	Ω@Hz	5.5@430
Voice-coil inductance @ 1kHz	Le <sub>1k</sub>	mH	1.014
Voice-coil inductance @ 10kHz	Le <sub>10k</sub>	mH	0.487
BL product	BL	N/A	17.0
Moving mass	M <sub>ms</sub>	kg	0.0320

## Thiele-Small parameters

Resonance frequency	F <sub>s</sub>	Hz	94 (±18)
DC Resistance	Re	Ω	5 (±0.5)
Mechanical quality factor	Q <sub>ms</sub>	1	2.95
Electrical quality factor	Q <sub>es</sub>	1	0.33
Total quality factor	Q <sub>ts</sub>	1	0.29
Suspension compliance	C <sub>ms</sub>	10 <sup>-6</sup> .m/N	90
Effective piston area	S <sub>d</sub>	m <sup>2</sup>	0.0377
Equivalent Cas air load	V <sub>as</sub>	m <sup>3</sup>	0.0181
Max linear excursion	X <sub>max</sub>	mm	± 2.5
Linear displacement volume	V <sub>d</sub>	10 <sup>-3</sup> .m <sup>3</sup>	0.0942
Reference efficiency	η <sub>0</sub>	%	4.5
Unity load volume	V <sub>as</sub> .Q <sub>ts</sub> <sup>2</sup>	10 <sup>-3</sup> .m <sup>3</sup>	1.6

## Absolute maximum ratings

Short term max. input voltage	V <sub>max</sub>	V	80
Max.excursion before damage	X <sub>dam</sub>	mm	± 4.0
Ambient operating temperature	T <sub>a</sub>	°C	-10 to +50
Storage temperature		°C	-20 to +70
Environmental withstanding			Humidity proof



## Mounting information

Air volume occupied by the driver	10 <sup>-3</sup> .m <sup>3</sup>	1.00
Speaker net mass	kg	3.40
Baffle cut-out diameter (front mounting)	mm	229.0
Bolt number & Metric diameter	-	6x M5
Bolt circle diameter	mm	266.0
Max overall dimension (on ears)	mm	283.5
Max overall dimension (out of ears)	mm	254.5
Flange height	mm	11.0
Max magnet diameter	mm	118.0
Max depth (front mounting)	mm	102.0
Recommended reflex box	Lts / Hz	-
Electrical connection		Ø4 mm Push buttons

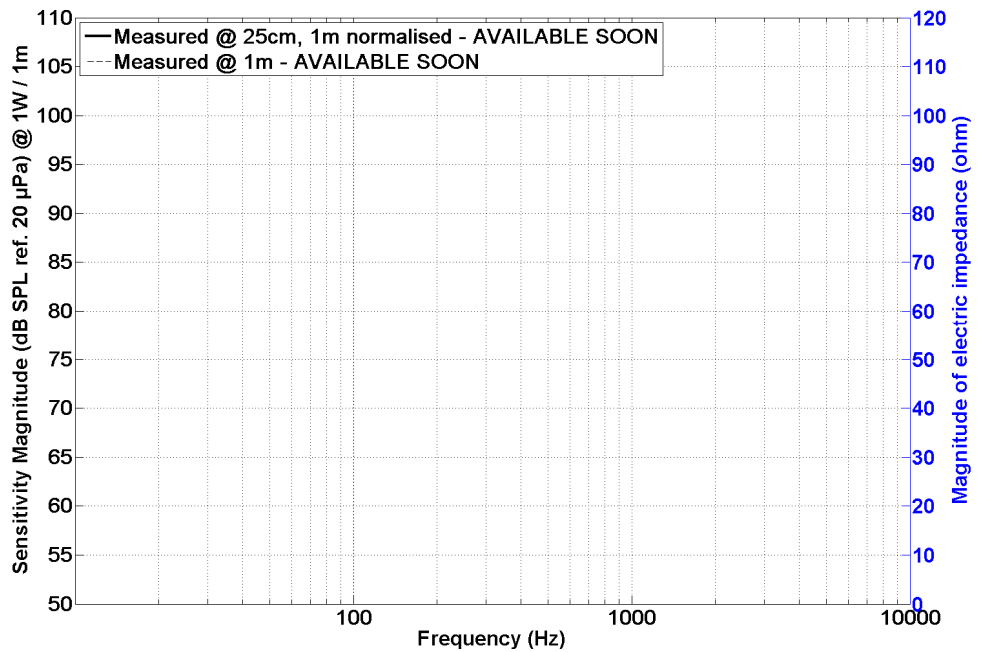


# 3450NdM

# 10 inches mid driver

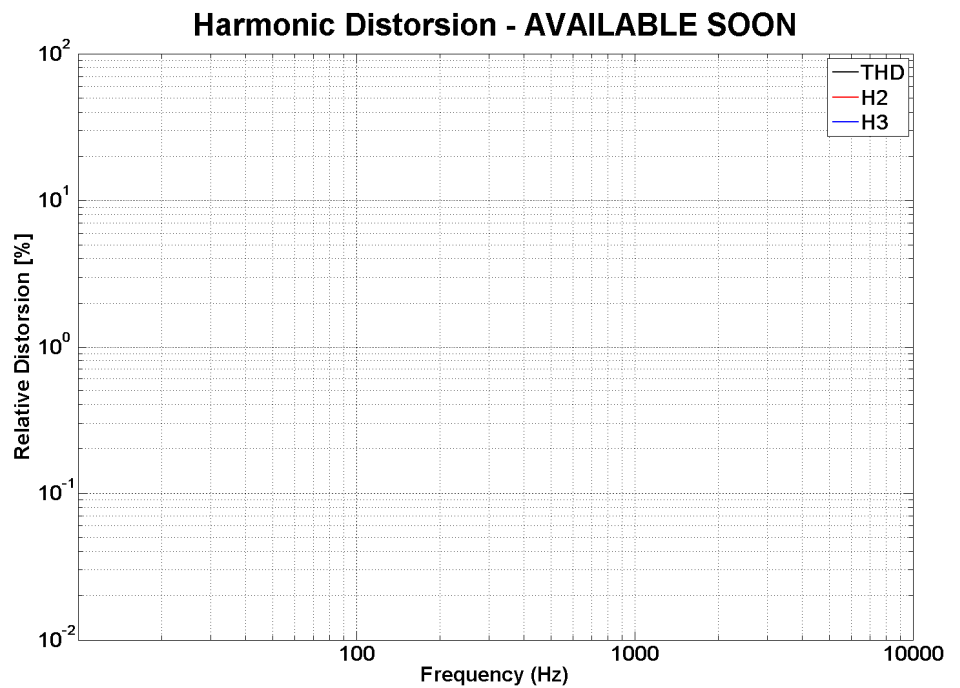
SPL curves measured on CEI standard baffle :

- . at 25 cm, normalised 1 m
- . at 1 m for reference
- . Graph amplitude = 60 dB (PHL Audio standard)



HD curve measured on CEI standard baffle :

- . at 1 meter
- . at power =  $P_{AES} / 4$
- . Graph amplitude 0.01 % to 100 % (PHL Audio standard for  $P_{AES}/4$ )



Non linear curves measured thanks to Klippel software and hardware, in free air

